

## Digital Undercounter Freezer Counter - 3 Door (R290) with upstand and with cooling unit right

ITEM # \_\_\_\_\_

MODEL # \_\_\_\_\_

NAME # \_\_\_\_\_

SIS # \_\_\_\_\_

AIA # \_\_\_\_\_


**714961 (EBLF3BR)**

 1-door and 4-drawer  
Freezer Counter, -22-15°C,  
AISI 304 (R290) with  
splashback and right  
cooling unit

### Short Form Specification

#### Item No.

AISI 304 stainless steel panels, AISI 430 bottom panel, galvanized back panel. Worktop thickness 50mm. 1 full door and 4 half drawers. Built-in refrigeration unit. Automatic defrost. Operating temperature: -15-22°C. R290 gas in refrigeration circuit. Supplied with 1 grid for door compartment

### Main Features

- Anti-tilt runners accept GN 1/1 containers.
- 0mm clearance installation space: tower configuration cooling unit guarantee performance with frontal ventilation only; this unique solution allows installation against the wall or side by side with other appliances, even on the cooling unit side to maximize the use of kitchen space.
- Frontal and easy access to all components in the cooling unit.
- Adjustable temperature range from -15°C to -22°C.
- Refrigerated compartment designed to accept GN 1/1 containers.
- Connectivity ready for real time access to connected appliances from remote and data monitoring (requires optional accessory).
- Small footprint to fit even in limited environments.
- Certified safety CE requirements.
- Hot gas automatic evaporation of defrost water.
- Self closing stainless steel doors (< 90°).
- Forced air circulation for rapid cooling and an even temperature distribution.
- Digital control panel.
- Combination of doors and drawers to suit varying needs, with the possibility to change the configuration on site.
- Prearranged to fit RS485 port to facilitate connection to a remote computer and integrated HACCP systems.
- Fully compliant HACCP digital control: when temperature exceeds critical limits, acoustic and visual alarms are activated. Up to two months of event are kept in memory.
- Easy serviceability thanks to the intuitive control panel with access via app.
- Integrated RS485 port to facilitate connection to a remote computer and integrated HACCP systems.
- Tropicalized unit.

### Construction

- Developed and produced in ISO 9001 and ISO 14001 certified factory.
- Fault code display.
- Interior base with rounded corners, pressed from a single sheet.
- Internal and external doors, front, back and side panels in AISI 304 Stainless steel.
- Pre-arranged for drain-pipe.
- Built-in refrigeration unit.
- Internal structure with 15 charging positions (3 cm pitch) available to host GN 1/1 grids, ensuring higher net capacity and a greater storage space.
- Access to all components from the front.
- Built-in compressor to suit operating conditions.
- Ease of cleaning and high hygiene standards thanks to the rounded internal corners, the easily removable runners, grids and air conveyors.
- Mounted on stainless steel feet to give 150 mm (-5/+50 mm) clearance for ease of cleaning the floor.

APPROVAL: \_\_\_\_\_

- Extractable cooling unit to facilitate maintenance.
- IP21 protection index.

### Sustainability



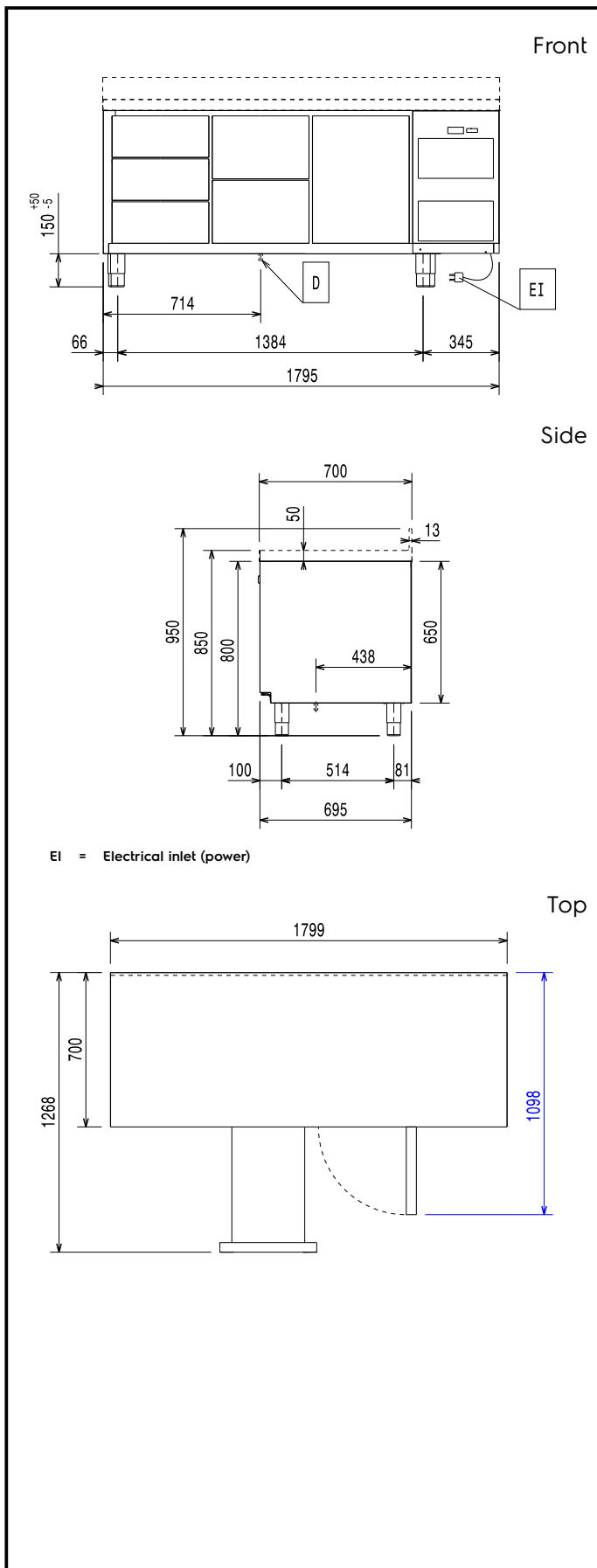
- Fitted with 90 mm thickness of cyclopentane insulation for best insulating performance (thermal conductivity: 0,020 W/m\*K) and lowest environmental impact (GWP=3).
- Removable triple-chamber balloon magnetic gasket to improve insulation and reduce energy consumption and ease of cleaning.

### Included Accessories

- 1 of Kit 1/1 grey rilsan grid and 2 side runners for refrigerated counters PNC 881109

### Optional Accessories

- 1/1GN grey rilsan grid for refrigerated counters PNC 881107
- 2 side runners for 1/1 GN ecostore refrigerated counters PNC 881108
- Kit 1/1 grey rilsan grid and 2 side runners for refrigerated counters PNC 881109
- 1/1 GN plastic container, H=65 mm PNC 881110
- 1/1 GN plastic container, H=100 mm PNC 881111
- 1/1 GN plastic container, H=150 mm PNC 881112
- 2x½ drawer kit for refrigerated counters - h650mm PNC 881176
- Kit 4 wheels, H=150 mm (2 with brakes) for 2&3 compartment refrigerated counters PNC 881193
- Lock for refrigerator/freezer counters with 3 compartments - h650mm (can be used in kit for Marine conversion) PNC 881246
- Kit 4 (45mm) spacers for wheels for refrigerator/freezer counters PNC 881277



### Electric

Supply voltage:	220-240 V/1 ph/50 Hz
Electrical power max:	0.49 kW

### Key Information:

Net Volume:	187.2 lt
N° of doors:	
External dimensions, Width:	1799 mm
External dimensions, Depth:	700 mm
External dimensions, Height:	950 mm
Internal Dimensions, Width:	1252 mm
Internal Dimensions, Depth:	560 mm
Internal Dimensions, Height:	500 mm
Net weight:	137 kg
Shipping volume:	1.54 m <sup>3</sup>
Depth with doors open:	1310 mm
Gross capacity:	400 lt

### Refrigeration Data

Control type:	Digital
Min/Max internal humidity:	
Operating temperature min.:	-15 °C
Operating temperature max.:	-22 °C
Compressor power:	3/4 hp
Operating mode:	Ventilated
Insulation:	mm (Cyclopentane)

### ISO Certificates

ISO Standards:	ISO 9001; ISO 14001; ISO 45001; ISO 50001
----------------	---

### Sustainability

Refrigerant type:	R290
GWP Index:	3
Refrigeration power:	0 W
Refrigerant weight:	140 g
Energy Class (EU Reg. 2015/1094):	D
Yearly and daily energy consumption (EU Reg. 2015/1094):	2500kWh/year - 7kWh/24h
Climate class (EU Reg. 2015/1094):	Normal duty (cl.4)
Energy Efficiency Index-EEI (EU Reg. 2015/1094):	71.97

## EU energy labelling from 1st July 2016

The European energy labelling scheme for professional refrigerators and freezers is based on requirements setting Minimum Energy Performance standards for commercial refrigeration cabinets sold within the EU.

These requirements are designed to drive energy efficiency and environmentally friendly approach for professionals. The European energy labelling scheme will apply to all manufacturers and importers who sell and market products within the EU and it is mandatory across Europe. Important: all products which consume energy above the minimum level will not be able to be sold within the EU from 1 July 2016.

SI 2020 No. 1528.

Important: all products which consume energy above the minimum level will not be able to be sold within the EU from 1 July 2016.

